

Wheat Friction Machinery GBO

Genç Degirmen
MILLING MACHINERY

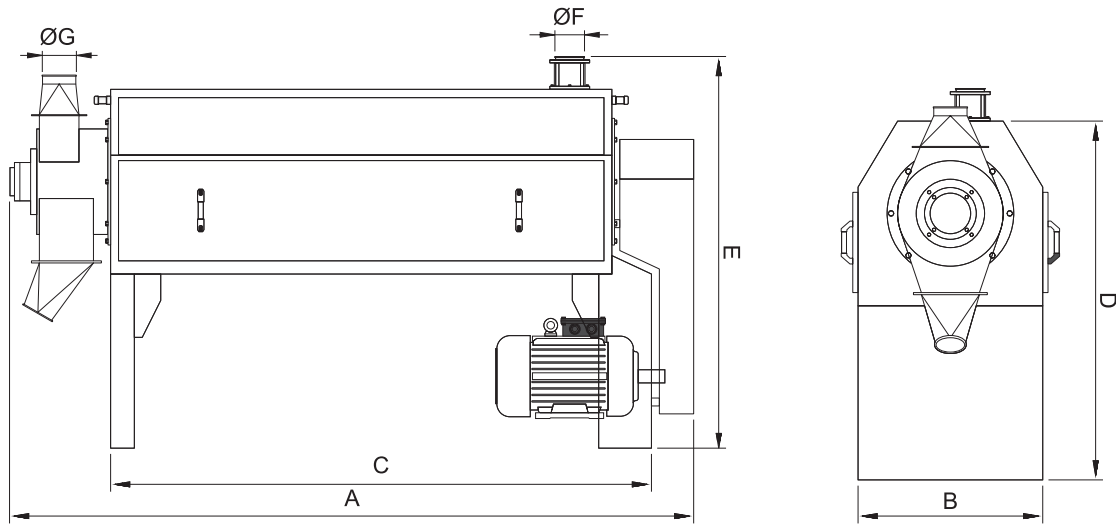
Excellent Milling Properties...

WORKING PRINCIPLES

Machine is used to clean dust, sand, glume particles which stuck on the wheat. It cleans them by rubbing and compressing.



Product Data Sheet



Type	Technical Features			Dimensions (mm)							Weigh (kg)
	Capacity (t/h)	Power (kw)	Volume (m ³)	A	B	C	D	E	ØF	ØG	
GBO 10	10	11	5.3	2600	700	2050	1360	1500	120	120	1120
GBO 15	15	15	5.3								1370
GBO 20	20	22	5.3								1450