

Low Pressure Fan

GAS

Genç Değirmen
MILLING MACHINERY

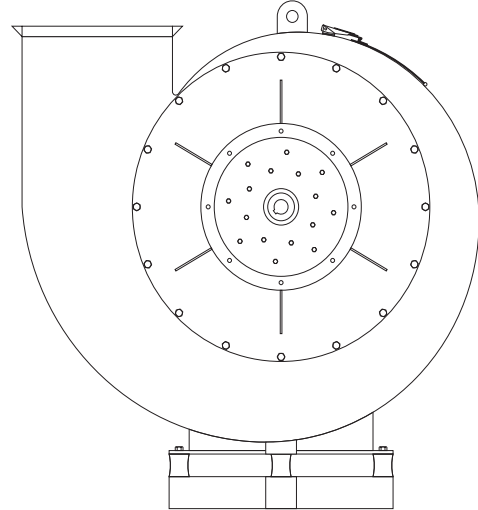
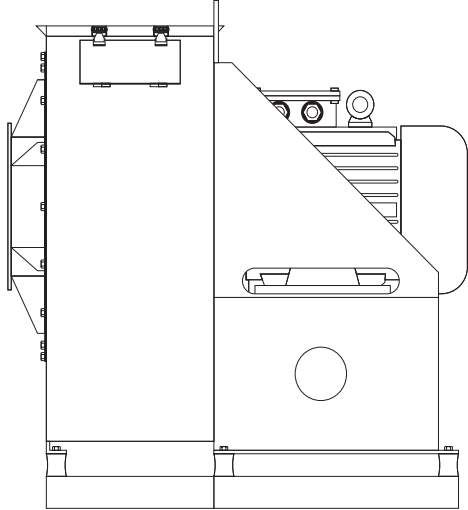
Excellent Milling Properties...

WORKING PRINCIPLES

It produces the air required to transport low density parts which separated from grain in cleaning part such as dust etc.



Product Data Sheet



Type	Power(kW)		Weight (kg)
	(kW)	(rpm)	
GAS 40	4	3000	225
		1450	
GAS 55	5.5	3000	250
		1450	275
GAS 75	7.5	3000	250
		1450	270
GAS 110	11	3000	310
		1450	350
GAS 150	15	3000	325
		1450	330
GAS 185	18.5	3000	410
		1450	
GAS 220	22	3000	450
		1450	
GAS 300	30	3000	500
		1450	
GAS 370	37	3000	650
		1450	
GAS 450	45	3000	750
		1450	

Right Direction		Left Direction	
0°		0°	
45°		45°	
90°		90°	
135°		135°	
180°		180°	
225°		225°	
270°		270°	
315°		315°	