

# Infestation Destroyer

# Vertical Entoleter

**Genç Degirmen**  
MILLING MACHINERY

*Excellent Milling Properties...*

## WORKING PRINCIPLES

The action of the machine disintegrates any insects, eggs or larvae present in the flour. Allowing flour to be safely stored for longer periods, particularly hot climates.

## FEATURES

- Most Extreme Cleanliness
- Long Life
- Silent Operation
- High Productivity
- Minimum Energy Consumption

GID

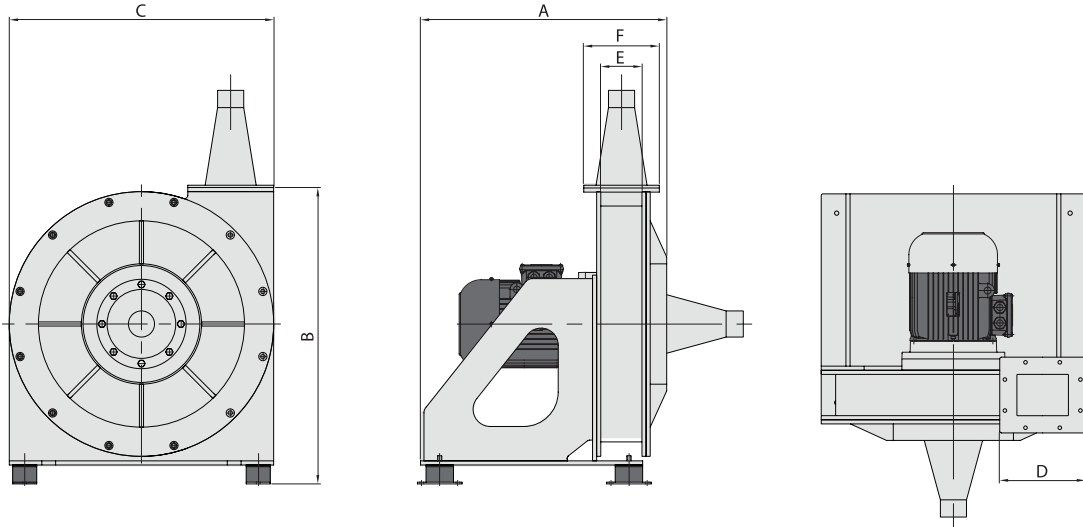


GDLK



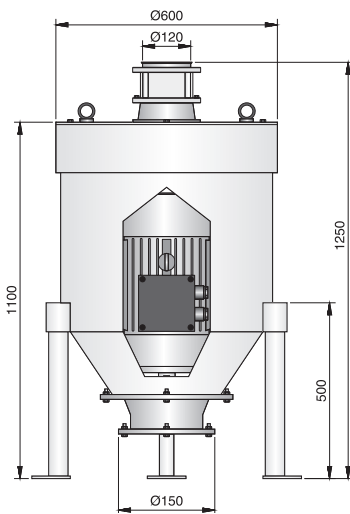
**Product Data Sheet**

**Infestation Destroyer**



Type	Technical Features		Dimensions(mm)						Weight(kg)
	Capacity(t/h)	Power (kW)	A	B	C	D	E	F	
GID 110	0.5	5.5-11	720	910	770	250	120	220	310-355
GID 185	5-10	11-18.5	820	910	770	250	150	250	395
GID 370	10-22	18.5-37	940	910	770	250	190	290	450-520

**Vertical Entoleter**



Type	Technical Features		Weight(kg)
	Capacity(t/h)	Power (kW)	
GDLK 055	3	5.5	130
GDLK 075	5	7.5	137
GDLK 110	6	11	13
GDLK 150	7	15	210
GDLK 185	8	18.5	230
GDLK 200	10	22	255