

# Dampener With Three Rotor *GTC*

*Genç Degirmen*  
MILLING MACHINERY

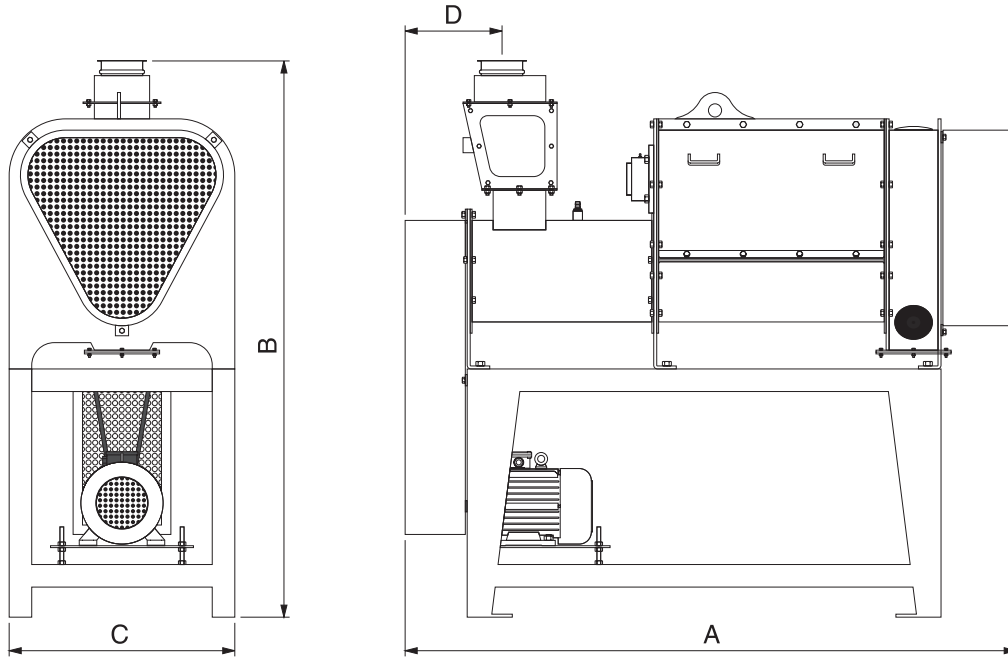
*Excellent Milling Properties...*

## WORKING PRINCIPLES

The intensive dampener's rotor system provides intensive but gentle dampening of grain with a moisture addition level.



**Product Data Sheet**



Type	Technical Features			Dimensions (mm)											Weight (kg)
	Capacity (t/h)	Volume (m <sup>3</sup> )	Power (kW)	A	B	C	D	E	F	G	H	I	J	K	
GYT 10	10	5.99	2 x 11 1 x 1.1												1870
GYT 15	15	5.99	2 x 15 1 x 1.1	2748	2130	1830	300	390	460	970	2250	3885	1968	196 x 196	2215
GYT 20	20	5.99	2 x 22 1 x 1.1												2195