

Bran Bagging Machine With Single Weigh Hopper & Single Station 15-50 Kg.

Genç Degirmen
MILLING MACHINERY

Excellent Milling Properties...

CAPACITY INFORMATION:

While it varies according to the product to be bagged and the tolerance required, the values relating to the packaging speed below shall provide some information about the capacity of the system.

- 5-25 ton/hour in 15 kg bagging
- 15 ton/hour in 50 kg bagging

The tolerance per package varies between ± 0.15 kg in the 50-kg packaging. In addition to this, it is undertaken to be operated with 15 ton/hour capacity in the products such as flour or in similar characteristics with the average error share per package.

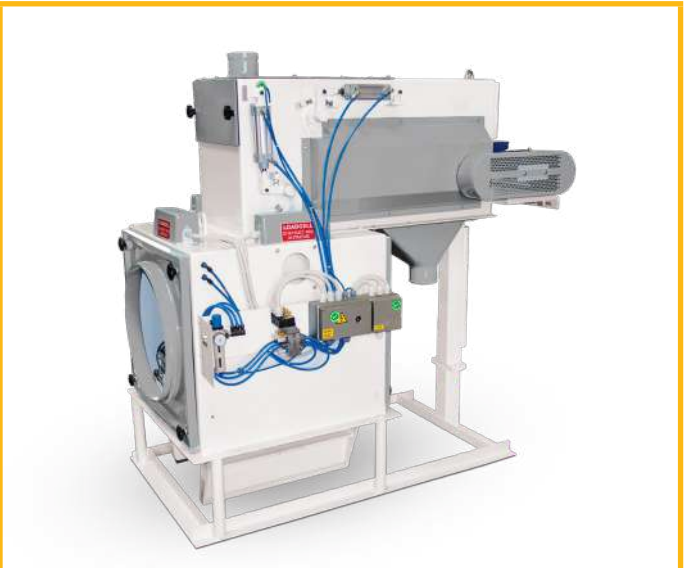
PACKAGING SET VALUES

The package filling weights could be preferred between 15-50 kg by the operator.



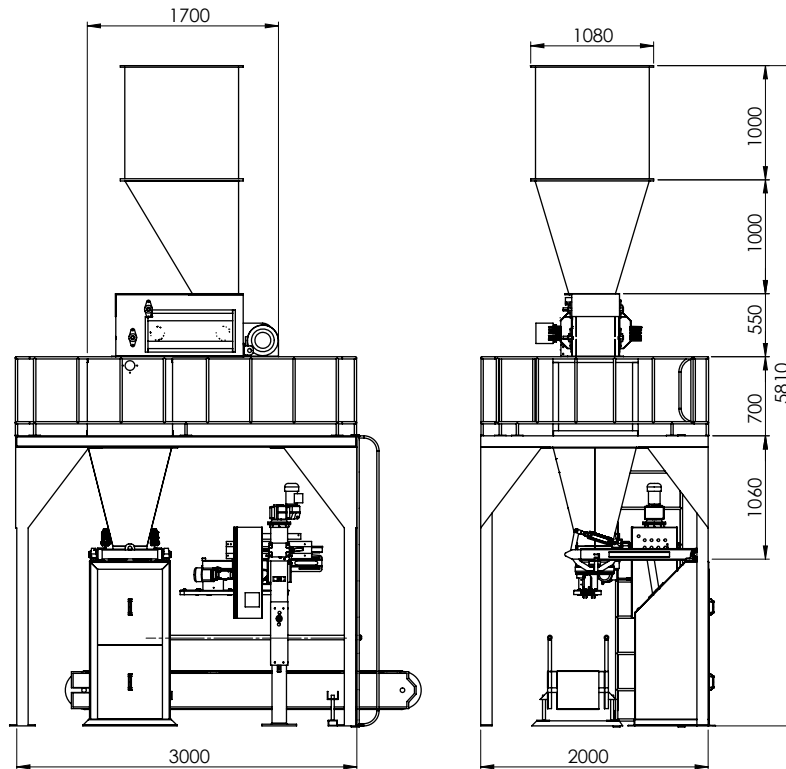
Bran Bagging Machine With Single Weigh Hopper & Single Station 15-50 Kg.

Product Data Sheet



Bran Bagging Machine With Single Weigh Hopper & Single Station 15-50 Kg.

Product Data Sheet



TECHNICAL FEATURES	
Type of Product to Be Packed	Bran
Density (Flour)	0,35 kg/m ³
Maximum Weighing Weight	55 Kg
Weighing Range -Options	15 - 50 Kg
Weighing Accuracy	±% 0,3
Top Bunker Capacity	1502 Liter
Platter Capacity	160 Liter
Output Capacity 15 Kg	5,25 Ton/Hour
Output Capacity 50 Kg	15,00 Ton/Hour
Weighing Units 15 Kg	350 Pack./Hour
Weighing Units 50 Kg	300 Pack./Hour
System Pressure	6 - 8 Bar
Air Supply (m ³ /Min)	10 m ³ /Min
Power Supply (VAC) (+5% - 10%)	400 VAC / 50-60 Hz.
Electricity consumption	3,55 kW/Hour
Weight	2265 Kg