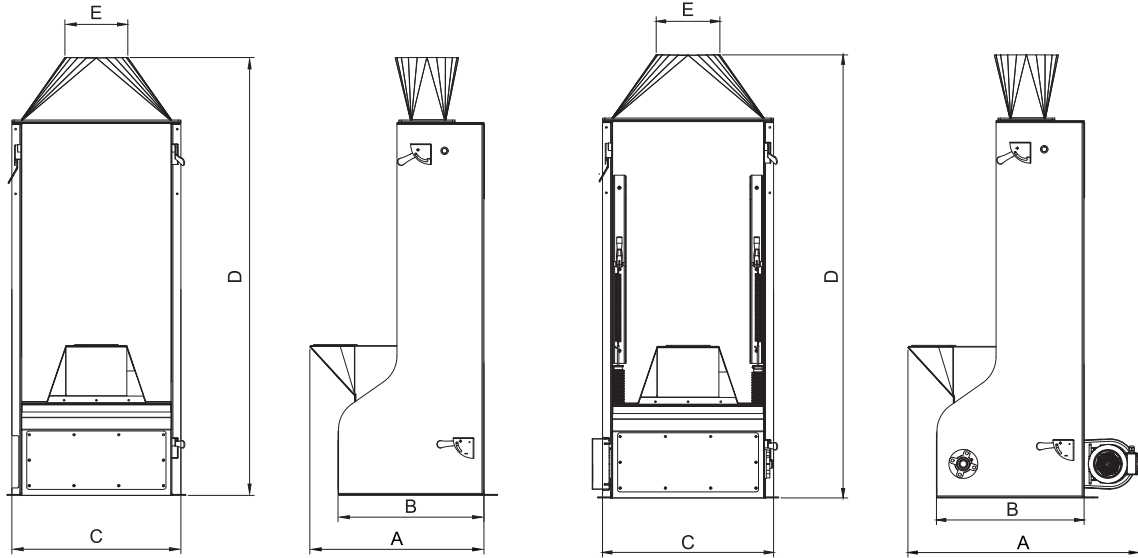


## WORKING PRINCIPLES

It is used to separate unwanted low density materials in grain by aspiration.



## Product Data Sheet



Type	Technical Features				Dimensions(mm)						Weight (kg)
	Capacity (t/h)	Volume (m <sup>3</sup> )	Power (kw)	Air Required (m <sup>3</sup> /min)	A	B	C	D	ØE	F	
GVH 060	4	0.3	--	40	600	600	610	1760	250	200	105
			0.085* (vibro)		810						140
GVH 080	6-8	0.43	--	50	600	600	810	1760	300	200	95
			0.085* (vibro)		810						125
GHV 100	10-14	0.65	--	80	600	600	1010	1760	350	200	120
			0.085* (vibro)		810						160
GHV 150	20	0.9	--	120	600	600	1510	1760	450	200	165
			0.17* (vibro)		810						295