

# Turbo Sifter

## GTSF

**Genç Değirmen**  
MILLING MACHINERY

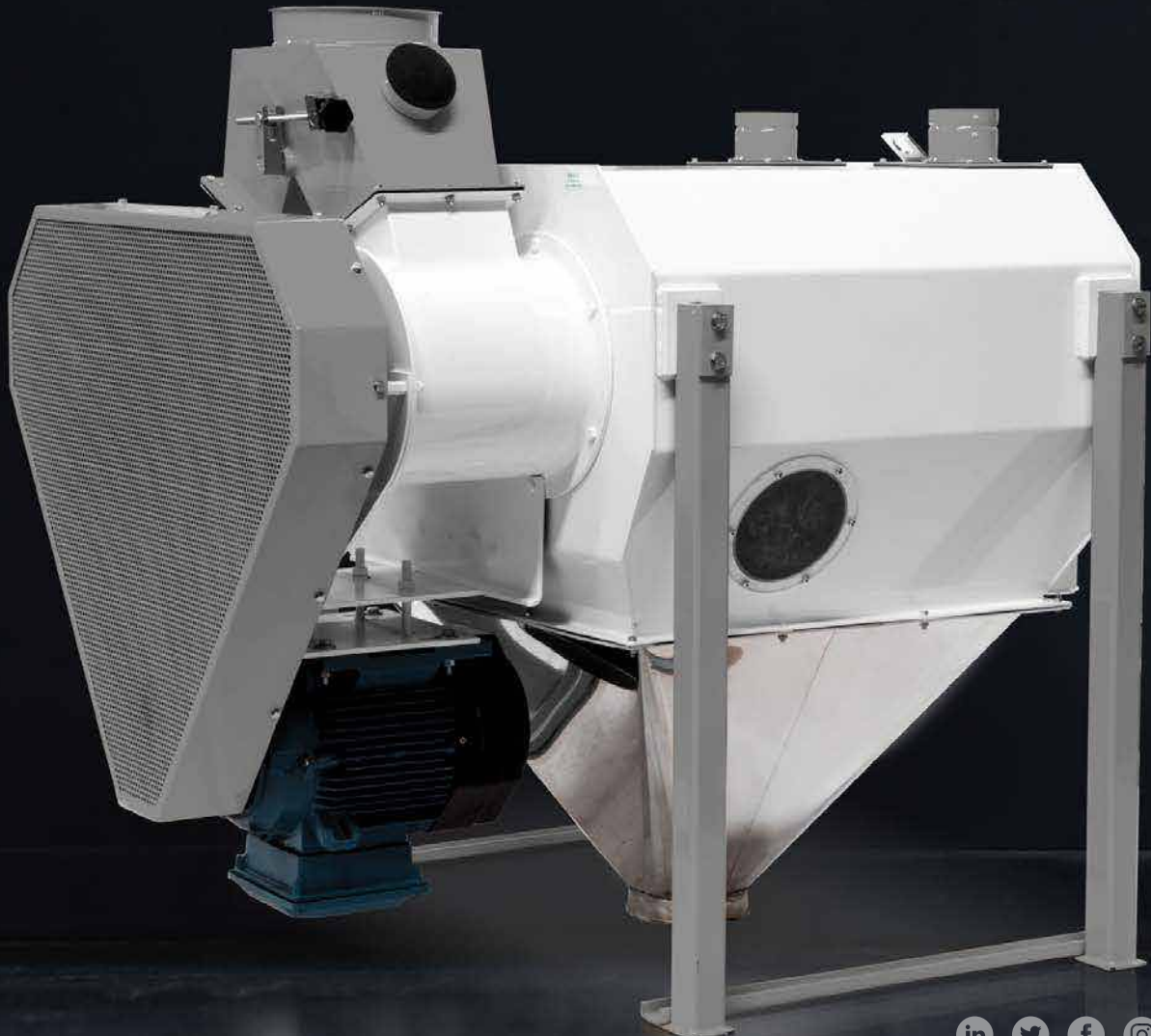
*Excellent Milling Properties...*

### WORKING PRINCIPLES

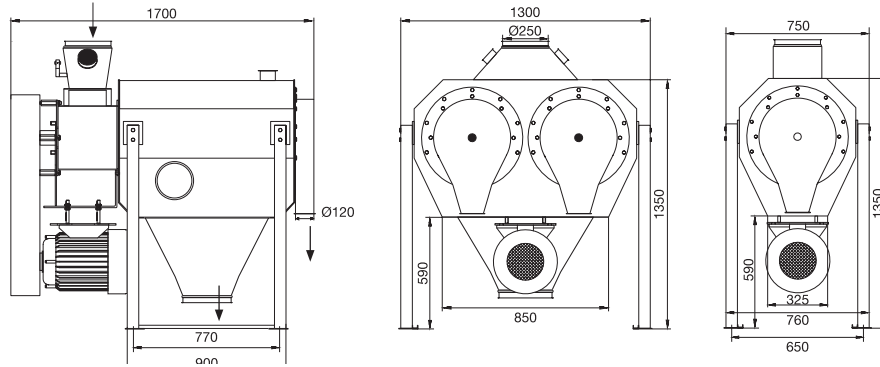
Turbo sifter is designed and adapted for a secondary sifting of flours, before the bagging or packing operation.

### FEATURES

- Maximum Hygiene
- Maximum Simplified Using
- High Efficiency



**Product Data Sheet**



Type	Technical Features							Weight (kg)
	Sieve Size in (Ø mm)	Capacity (t/h)	Rotor (rpm)	Air Required (m³/min)	Volume (m³)	Power (kw)		
						( kw)	(rpm)	
GTSF 055	1.5	12	600	15	1.8	5.5	1450	360
	2.5	20						
	3	25						
GTSF 110	1.2	15	600	25	3.2	11	1450	1490
	1.5	24						
	2	30						
	2,5	40						
	3	50						