

Flow Controlled Automatic Dampener

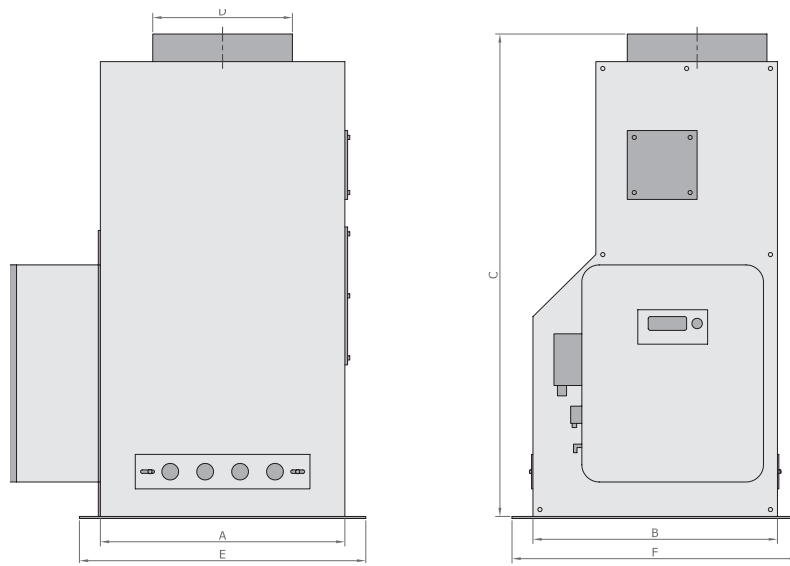
GAKOT

Genç Degirmen
MILLING MACHINERY

Excellent Milling Properties...



Product Data Sheet



Type	Capacity (t/h)	Dimensions (mm)							
		A	B	C	D	E	F	H	G
GAKOT 025	0-25	150	275	600	430	445	1100	850	1975
GAKOT 050	25-50	220	2350	800	515	465	1300	1050	2280